

Drawing No.	Rev.	Page
CWA3S-24-CD-W18	E	1 / 2

<h1 style="margin: 0;">SPECIFICATIONS</h1>
--

[General Specifications]

Model	CWA3S-24-CD	
Color Code	CD	
Luminous Color	Daylight	
Color Temperature (typ.)	6500 K	
Illuminance (at 24V DC, 1m)	110 lx	
Total Luminous Flux (at 24V DC)	385 lm	
Rated Voltage	24V DC (Polarized)	
Operating Voltage Range	Rated Voltage \pm 10%	
Signal Wire Current (Rated Current Consumption)	Typ.	180 mA
	Max.	198 mA
Operating Ambient Temperature	-30 °C to +60 °C	
Operating Ambient Humidity	Less than 90% (No condensation)	
Storage Ambient Temperature	-35 °C to +65 °C	
Storage Ambient Humidity	Less than 90% (No condensation)	
Mounting Direction	All Directions	
Protection Rating	IP65 (IEC 60529) (Cable connection ends not included)	
Vibration Resistance	19.6 m/s ² (30Hz, Back and Forth, Up and Down, Left and Right for 2 hrs. each)	
Mass	215 \pm 10 g	
Outer Dimensions	Refer to the Outer Dimension Drawing	
Conformity Standards	EMC Directive (EN 55015, EN 61000-6-2) RoHS Directive (EN IEC 63000) UL Listed (File No.E306141)	
Remarks	· Due to the inherent properties of the LED, color variations and hue may occur.	

1

2

3

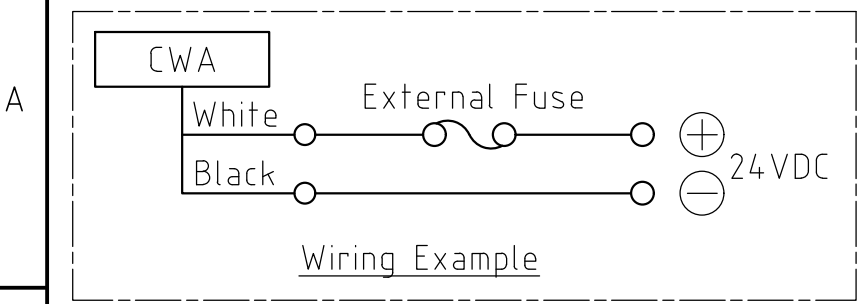
4 ▽

5

6

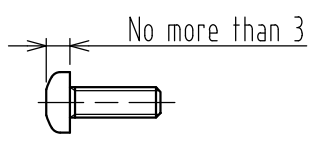
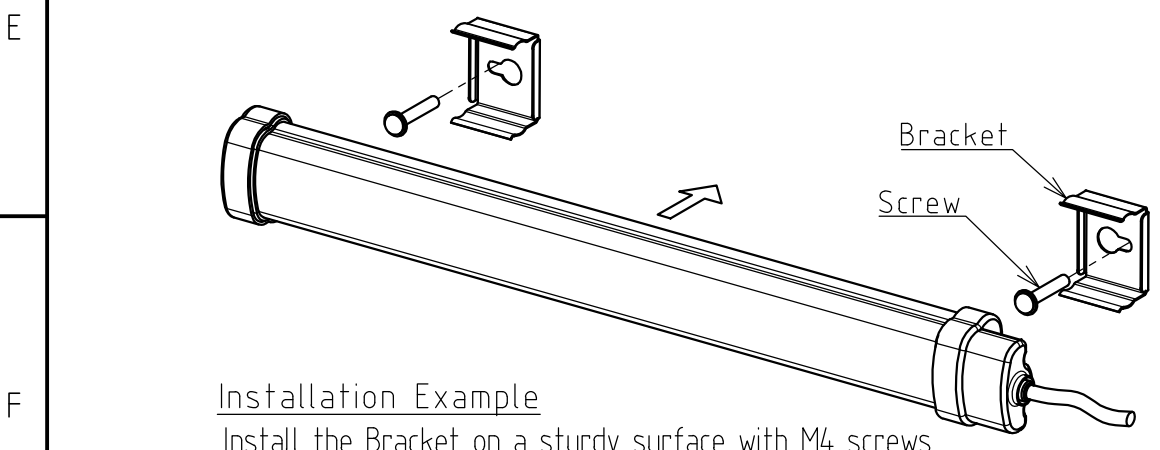
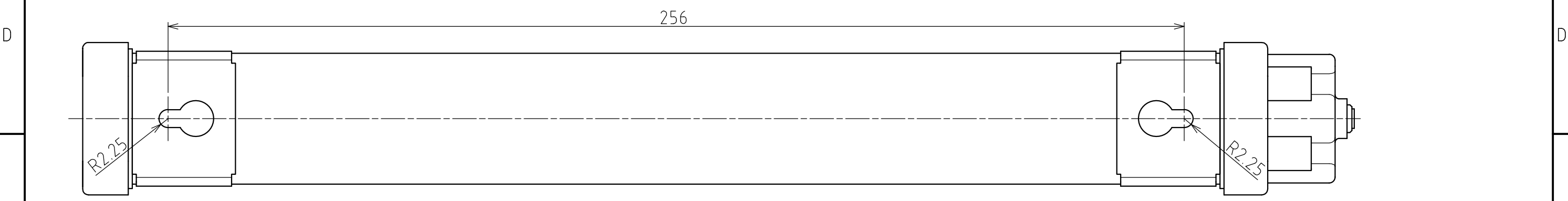
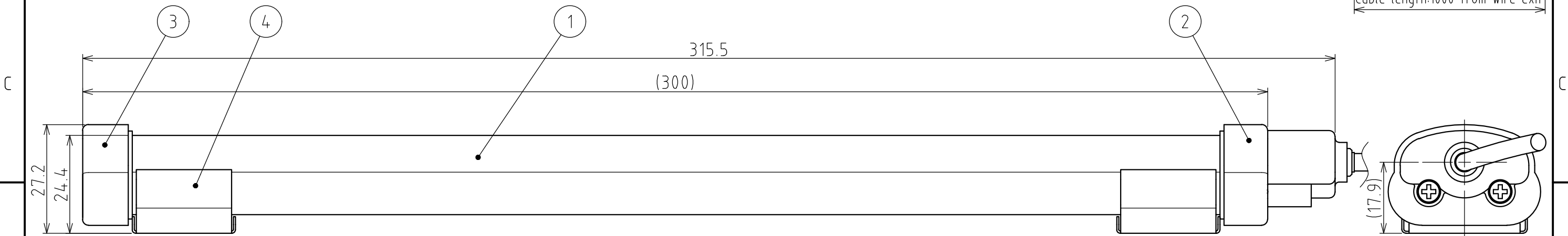
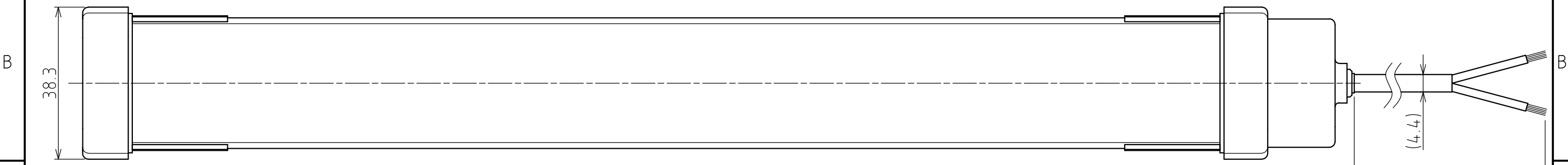
7

8



指定 公差 General Tolerance	角度公差 ±[°]				寸法公差 ±[mm]					図番 Drawing No.			
	短辺 長さ Length of short side	~	~	~100	6	30	120	300	1000	改訂 Rev.		年月日 Date	改訂履歴 Revisions
	精 f	1	0.5	0.3	0.1	中 m	0.1	0.3	0.5	0.7	1		
	粗 c	3	1.5	1	0.5	粗 c	0.3	0.5	1	1.2	2		

CWA3S-24-CD-W18			ページ Page
			2 / 2



Installation Example
Install the Bracket on a sturdy surface with M4 screws,
and snap the main unit into place.

Screw Dimensions

4	Bracket	2	SUS
3	End Cap B	1	PC(White)
2	End Cap A	1	PC(White)
1	Cover	1	PC(Clear)
番号 No.	部品名 Part Name	数量 Qty.	記事 Remarks

機種 Model	CWA3S-24-CD	特注No. S.P.No.	-	図名 Name	Outer Dimensions Drawing
-------------	-------------	------------------	---	------------	--------------------------

品目コード Part No.	-	尺度 Scale	-	三角法 3rd Angle P.	単位 Unit mm	株式会社 PATLITE Corporation
-------------------	---	-------------	---	---------------------	------------------	-----------------------------

1

2

3

4 △

5

6

7

8