

SPECIFICATIONS

[1.General Specifications]

Product Name		Signal Tower	
Model		LR6-□02W□□W-□+FB295	
Rated Voltage		24V DC	
Operating Voltage Range		Rated Voltage ±10%	
Rated Current Consumption	Typ.	LED Unit : 40mA Buzzer Unit : 40mA (※1)	
	Max.	LED Unit : 45mA Buzzer Unit : 250mA (※1)	
Rated Power Consumption	Typ.	LED Unit : 1W Buzzer Unit : 1W (※1)	
	Max.	LED Unit : 1.3W Buzzer Unit : 1.3W (※1)	
Operating Ambient Temperature		-20°C to +50 °C	
Operating Ambient Humidity		Less than 90 % (No condensation)	
Storage Ambient Temperature		-30°C to +60 °C	
Storage Ambient Humidity		Less than 90 % (No condensation)	
Mounting Location		Indoor	
Mounting Direction		Upright	
Protection Rating		IP67(IEC 60529) / IP69K(DIN 40050 PART9)	
Environmental Condition		Upright	
Insulation Resistance		More than 1MΩ at 500V DC between live part and non-current carrying metallic part	
Withstand Voltage		500V AC applied for 1min between live part and non-current carrying metallic part without breaking insulation	
Mass (Tolerance ±10%)		Body Unit + (LED Unit) + [Buzzer Unit]	
		LR6-WC	0.17kg + (0.06kg)×Tiers + [0.06kg]
		LR6-WM	0.21kg + (0.06kg)×Tiers + [0.06kg]
Compatible Unit (Optional)	LED Unit Model	LR6-E-R,Y,G,B,C,MZ+FB295	
	Buzzer Unit Model	LR6-BW+FB295	
Conformity Standards	UL, cUL	UL 508, CSA-C22.2 No. 14	
	FCC	FCC Part 15 SubpartB Class A	
	CE Marking UKCA Marking	EN 61000-6-4, EN 61000-6-2, EN IEC 63000	
	KC	KS C 9610-6-4, KS C 9610-6-2	
Remarks		(※1) Environmental Condition: Buzzer sound No.2 Continuous beep sound. Due to the characteristics of the LED elements, a variation in difference of the color tone and brightness of every product may occur. UL Recognized Component (File No.E215660)	

Drawing No.	Rev.	Page
LR6-FB295-W18	A	2 / 9

[2.Model Number Configuration]

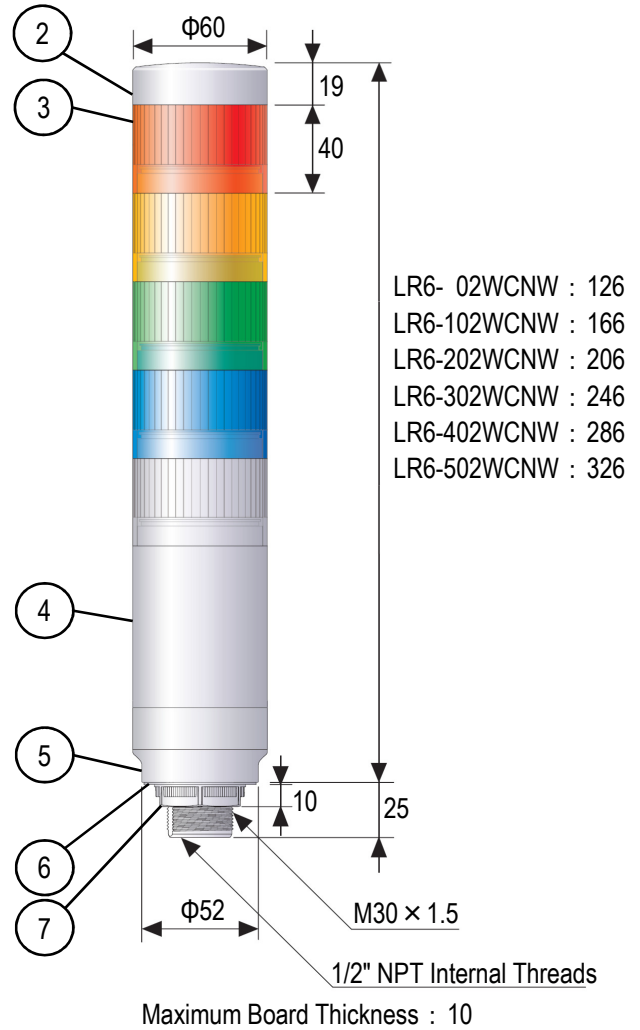
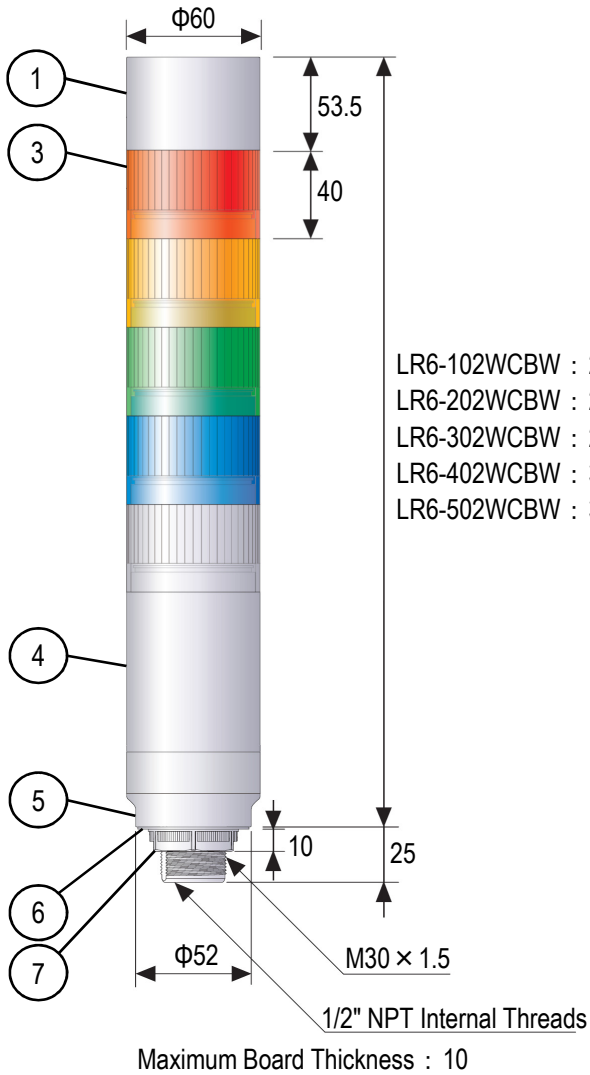
Model	Size	Tiers	Rated Voltage	Mounting/Wiring	Flashing/Buzzer	Body Color	LED Unit Color	Custom Order Number				
Assembly Model	LR	6	-	↓	02	↓	↓	W	-	↓	+	FB295
Size		Rated Voltage		Flashing / Buzzer		Body Color		LED Unit Color				
6 φ60		02 24V DC		B No Flashing / Buzzer N No Flashing / Buzzer		W Off-white		R Red Y Yellow G Green B Blue C White				
Tiers		Mounting / Wiring		LED Unit Color								
1 1Tier 2 2Tiers 3 3Tiers 4 4Tiers 5 5Tiers		WC Direct Mount / M12 Connector (Mounting with M30 Nut) WM Direct Mount / M12 Connector (Mounting with 3 Hexagon Bolts)		From top to bottom								
Unit Model(Body Unit)	LR	6	-	↓	02	↓	N	W	+	FB295		
Size		Rated Voltage		Flashing / Buzzer		Body Color						
6 φ60		02 24V DC		N No Flashing / Buzzer		W Off-white						
Mounting / Wiring												
WC Direct Mount / M12 Connector (Mounting with M30 Nut) WM Direct Mount / M12 Connector (Mounting with 3 Hexagon Bolts)												

[3.Outer Dimensions]

■ LR6-□02WCBW-□+FB295

■ LR6-□02WCNW-□+FB295

[mm]

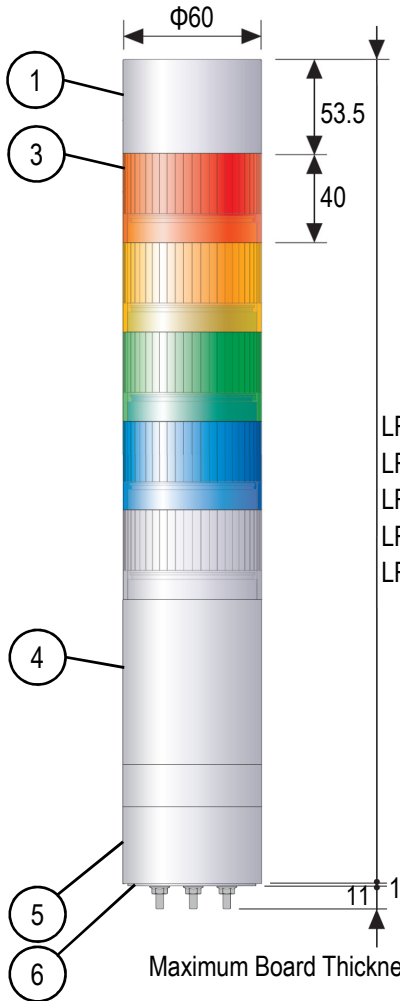


Number	Name	Material	UL Flammability
1	Buzzer Case (Buzzer Unit)	PC	V-2
2	Head Cover	PC	V-2
3	Globe (LED Unit)	PC	V-2
4	Body	PC	V-2
5	Direct Mount Bracket	PC	V-2
6	Mounting Gasket	Silicone Rubber	-
7	M30 Nut	PC	V-2

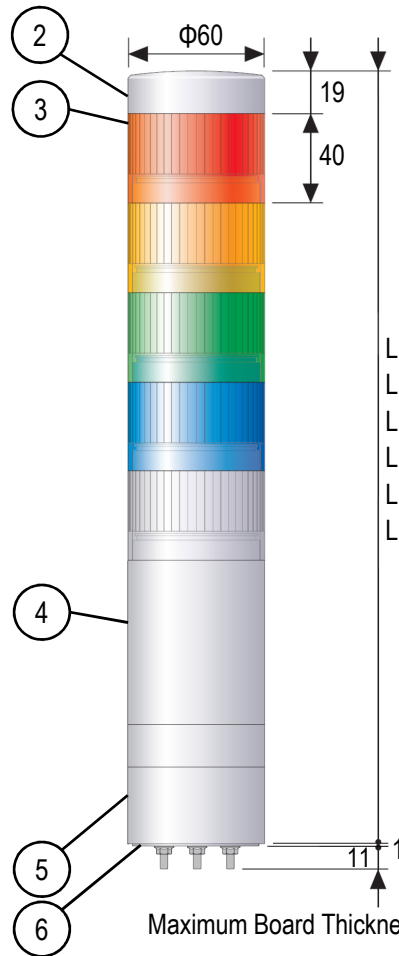
■ LR6-□02WMBW-□+FB295

■ LR6-□02WMNW-□+FB295

[mm]



- LR6-102WMBW : 225.5
- LR6-202WMBW : 265.5
- LR6-302WMBW : 305.5
- LR6-402WMBW : 345.5
- LR6-502WMBW : 385.5



- LR6- 02WMNW : 151
- LR6-102WMNW : 191
- LR6-202WMNW : 231
- LR6-302WMNW : 271
- LR6-402WMNW : 311
- LR6-502WMNW : 351

Number	Name	Material	UL Flammability
1	Buzzer Case (Buzzer Unit)	PC	V-2
2	Head Cover	PC	V-2
3	Globe (LED Unit)	PC	V-2
4	Body	PC	V-2
5	Direct Mount Bracket	PC	V-2
6	Mounting Gasket	Silicone Rubber	-

Accessory

LR6-WM

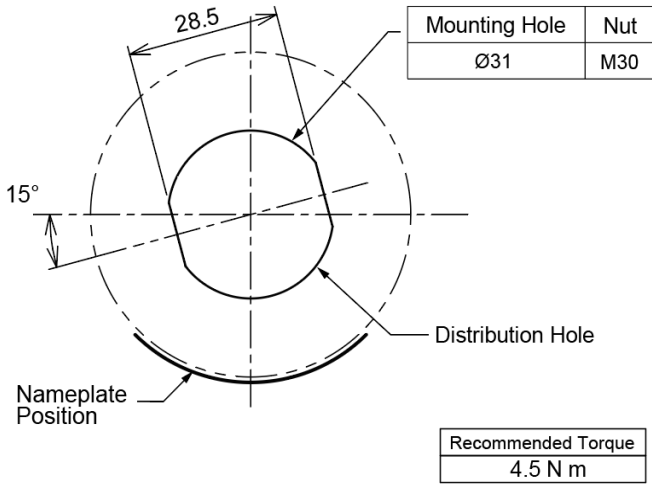
Flanged nut (M4)

3pcs.

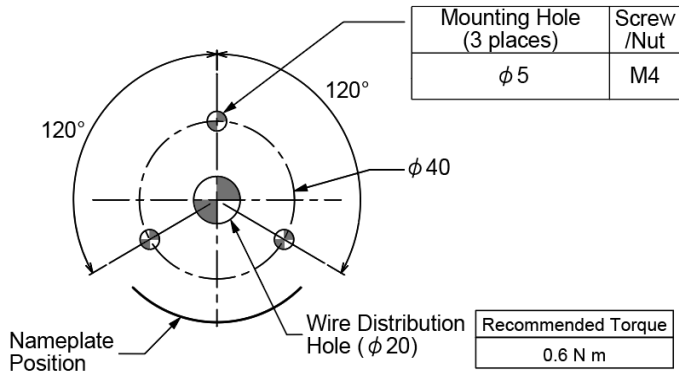
[4.Mounting Dimensional Drawing]

■ **WC** Mounting Dimensional Drawing (M30×1.5 Installation)

[mm]

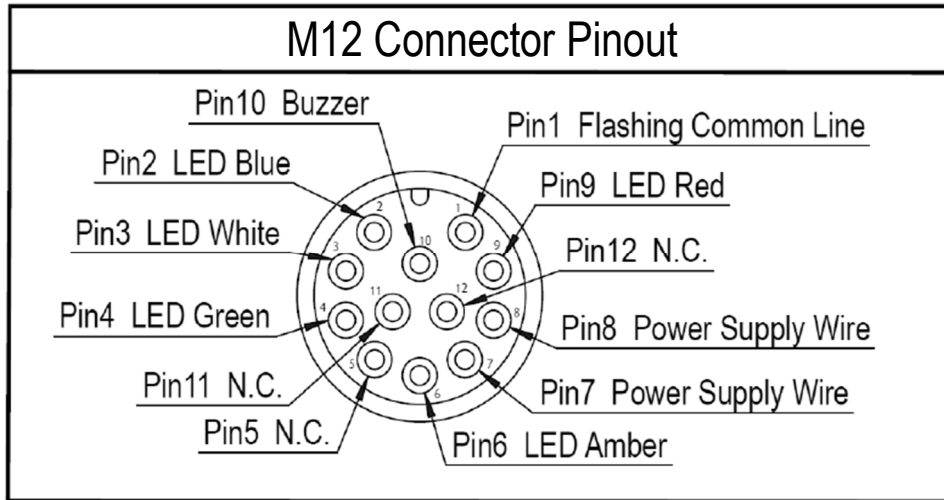


■ **WM** Mounting Dimensional Drawing

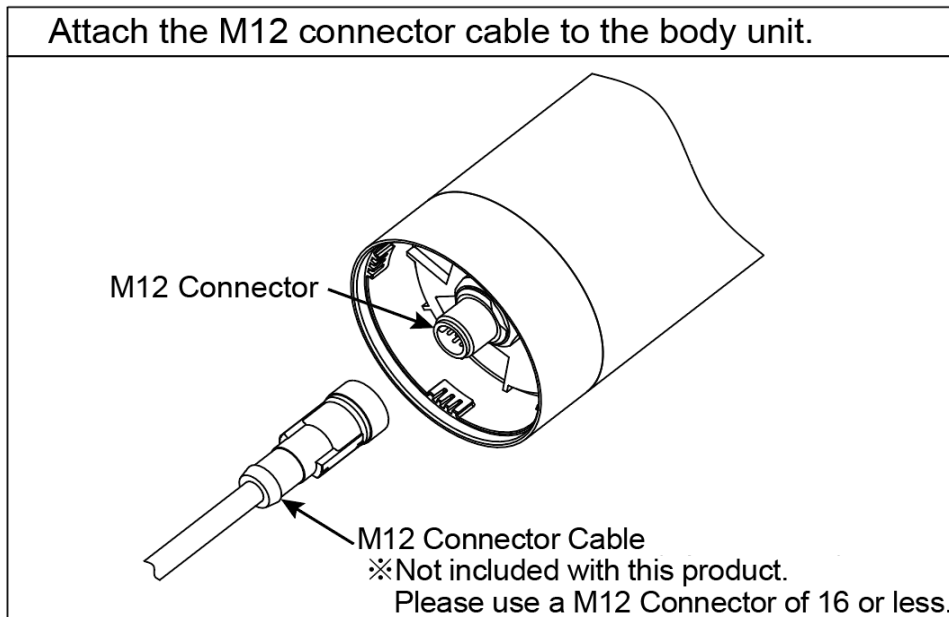


[5.Wiring Diagram]

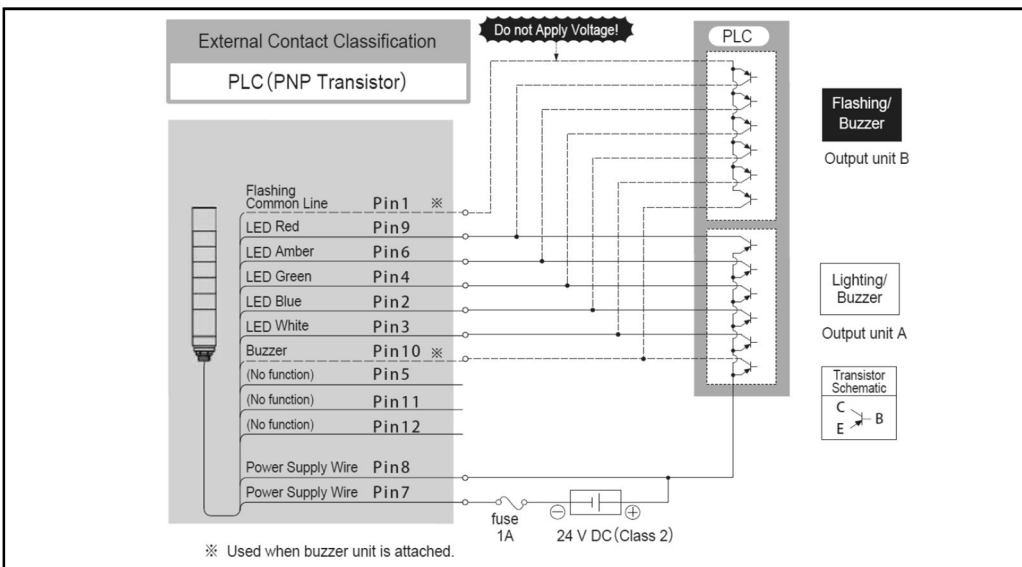
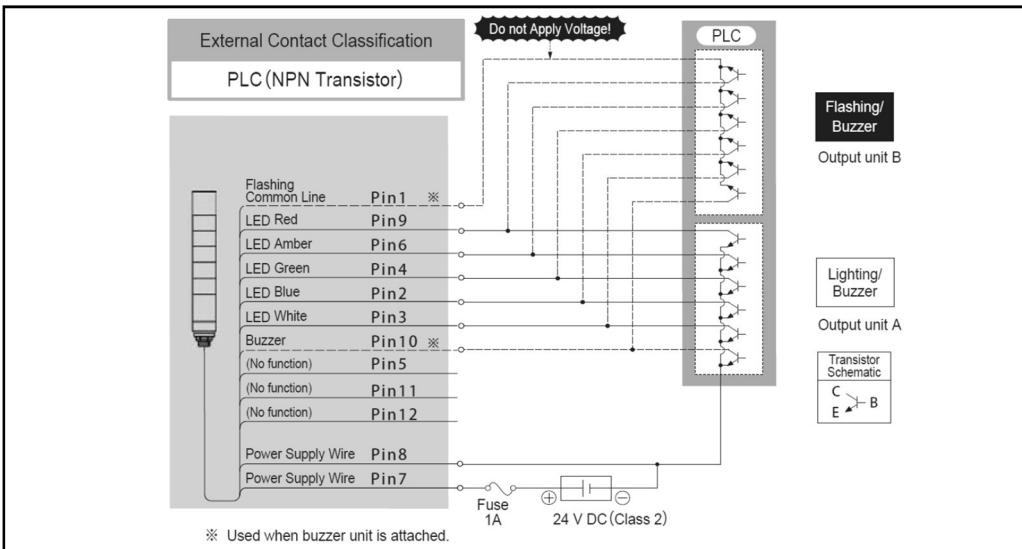
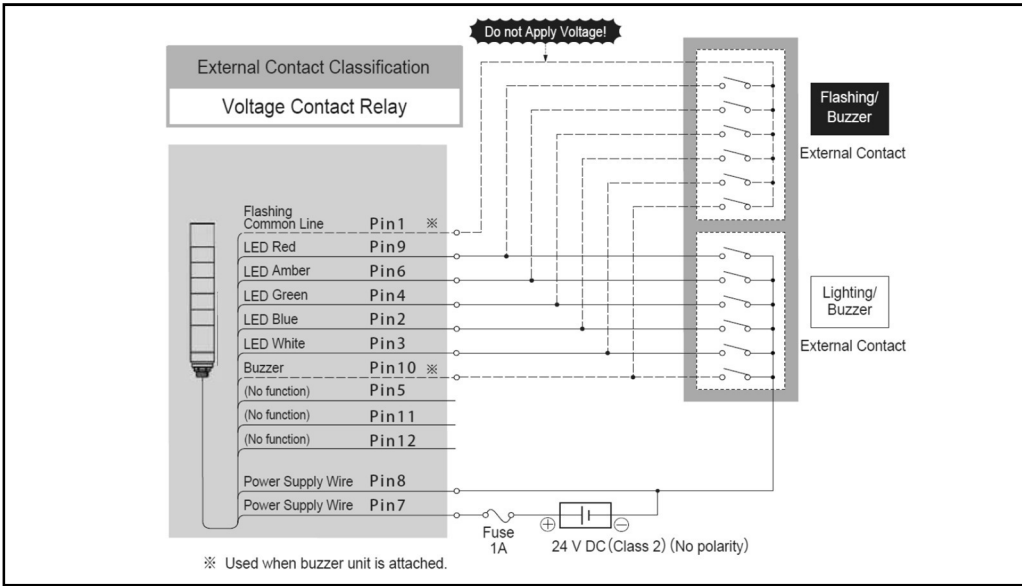
5.1 M12 Connector Pin Layout
12-pin male(plug)



5.2 Attach the M12 connector with cable to the body unit.



5.4 Wiring Example



5.4 External Contact Capacity

I_S : Current Capacity V_S : Withstand Voltage I_L : Leakage Current

Rated Load Voltage		24V DC			
LED Unit (1 Tier)	Signal Wire Current (Max.) / Voltage	45mA / Power Supply Voltage			
	Recommended Contact Capacity	$I_S \geq 100\text{mA}$ $V_S \geq 35\text{V DC}$			
Buzzer	Signal Wire Current (Max.) / Voltage	250mA / Power Supply Voltage			
	Recommended Contact Capacity	$I_S \geq 300\text{mA}$ $V_S \geq 35\text{V DC}$			
Power Supply	Current Consumption (Max.)	250mA (※1)			
	Signal Wire Current (Max.) / Voltage	$I_S \geq 500\text{mA}$ $V_S \geq 35\text{V DC}$			
Inrush Current	Signal Wire	LED	None	Buzzer	None (※2)
	Power Supply Wire	None (※3)			
Leakage Current		$I_L \leq 0.1\text{mA}$			

※1... Measured with five LED tiers and buzzer operating.

※2... Not exceeding Maximum Signal Wire Current Ratings

※3... Signal wire current (Max.) not exceeding the sum total.

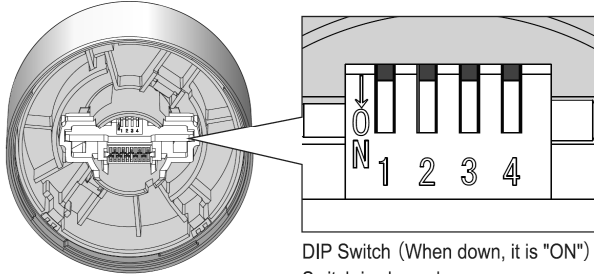
■ Recommended Fuse

Fuse Ampere Ratings	250 V / 1A (5x20mm Fast-Acting Glass Body Cartridge Fuse)
---------------------	---

[6. Buzzer Pattern Set-up]

The **B** Flashing/Buzzer type includes a set up for four different patterns and sound reduction. Set up the preferred pattern, using the DIP Switch after removing the buzzer unit.

Buzzer Unit Underside View



DIP Switch (When down, it is "ON")
Switch is shown by ■.

■ Pattern Setup Table

Buzzer Sound	DIP Switch		Sound Pattern
	1	2	
No.1	OFF	OFF	Rapid Intermittent Beep
No.2	ON	OFF	Continuous Beep Sound
No.3	OFF	ON	Rapid Hi-Lo
No.4	ON	ON	Sweep Sound

DIP Switch 3	Volume
OFF	Normal
ON	Sound Reduction

<Note> Do not use DIP Switch 4.
It is set to "OFF" at all times after factory shipments.