

Drawing No.	Rev.	Page
PHE-3FB3-W18	E	1 / 5

SPECIFICATIONS

Product Name: Interface Converter

Model: PHE-3FB3□-RYG

PATLITE Corporation

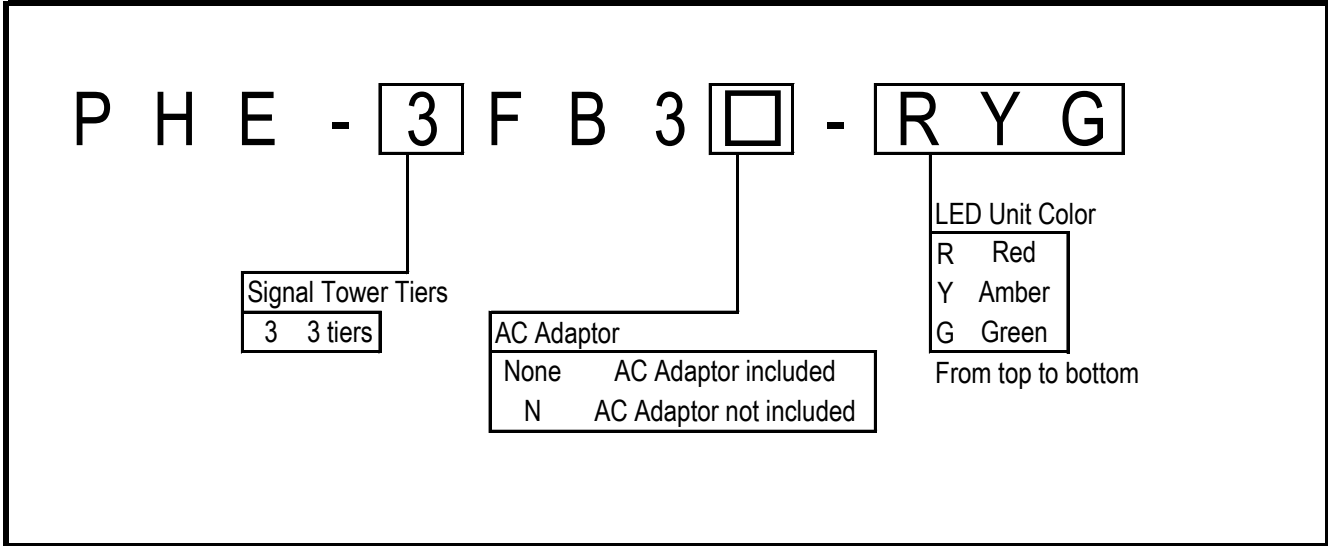
Drawing No.	Rev.	Page
PHE-3FB3-W18	E	2 / 5

1. General Specifications

Model	PHE-3FB3-RYG (AC Adaptor included)		
	PHE-3FB3N-RYG (AC Adaptor not included)		
Rated Voltage	24VDC (Main Unit) 5VDC (USB Bus Power)		
	AC Adaptor	Input: 100VAC - 240VAC (50/60Hz) Output: 24VDC	
Operating Voltage Range	90VAC - 264VAC (AC Adaptor)		
Rated Power Consumption	Standby	1.2W (100VAC)	0.9W (24VDC) 0.2W (5VDC)
	Maximum	4.4W (100VAC)	3.9W (24VDC) 1.4W (5VDC)
Operating Ambient Temperature	0°C - +40°C (No Dew or Condensation)		
Operating Ambient Humidity	20% - +85% RH (No Dew or Condensation)		
Storage Ambient Temperature	-10°C - +60°C (No Dew or Condensation)		
Storage Ambient Humidity	20% - +85% RH (No Dew or Condensation)		
Mounting Location	Indoor Only		
Mounting Direction	Upright		
Protection Rating	IP 20		
Insulation Resistance	More than 10MΩ at 500VDC between live part and non-current carrying metallic part *1		
Withstand Voltage	1500VAC applied for 1min (10mA or less) between live part and non-current carrying metallic part without breaking insulation *1		
Mass (Tolerance ±10%)	545g (AC Adaptor not include)		
Outer Dimensions	Refer to the Outer Dimension Drawing		
Sound Pressure Level	80dB or more		
	Environmental Condition	Front direction from the center, at 1m	
Interface	USB Port	USB2.0 Conformity (Bus-powered) Standard Type (Female)	
	Serial Port	RS-232C Conformity D-Sub 9 pin (Male)	
Communication method	USB Port	CDC (Communication Device Class) protocol	
	Serial Port	Asynchronous (Baud Rate: 9600bit/s, No Parity, Stop bit: 1bit, Data length: 8bit, No Flow control)	
Signal Tower	Clear Lens Type		
Operating portion	"Clear" Switch, "Set" Switch, "Buzzer" Switch		
Accessories	AC Adaptor *1, Installation Manual, Rubber feet (4 pcs.), Sound Reduction sheet		
Option	Tint Film (NHP-TF)		
Conformity Standards	RoHS Directive (EN IEC 63000) EMC Directive (EN 61000-6-4 (Class A), EN 61000-6-2) FCC Part15 Subpart B Class A, ICES-003 Class A UL 60950-1 CAN/CSA C22.2 No.60950-1 PSE Compliant AC Adaptor		
Remark	*1 : N type excluded CE Marking UL/cUL Listed : PHE-3FB3-RYG UL/cUL Recognized Component : PHE-3FB3N-RYG		

2. Model

2.1. Model Number Configuration



2.2. Model Number List

PHE-3FB3-RYG	PHE-3FB3N-RYG
--------------	---------------

3. Action Specification

3.1. Information (Main Unit)

Signal Tower	Lighting pattern for each color LED units, such as continuous lighting, flashing pattern 1, and flashing pattern 2
Flashing pattern 1	ON(800ms), OFF(800ms) (repetition)
Flashing pattern 2	ON(120ms), OFF(280ms), ON(120ms), OFF(1080ms) (repetition)
Buzzer	Four kind of buzzer sounds, such as buzzer pattern1, 2, 3, and 4
Buzzer pattern 1	ON(40ms), OFF(40ms) (repetition)
Buzzer pattern 2	ON(800ms), OFF(800ms) (repetition)
Buzzer pattern 3	ON(240ms), OFF(160ms), ON(240ms), OFF(960ms) (repetition)
Buzzer pattern 4	ON(continuity)

4. Function Specification

4.1. Main Unit Control Function

Signal Tower Control	Controllable with PHE Command or PHU Command
PHE Command	ON and Flashing and OFF can be controlled
PHU Command	ON and OFF can be controlled
Buzzer Control	Controllable with PHE Command
PHE Command	ON and Pattern and OFF can be controlled
"Clear" Switch	Signal Tower OFF and Buzzer OFF can be controlled

Drawing No.	Rev.	Page
PHE-3FB3-W18	E	4 / 5

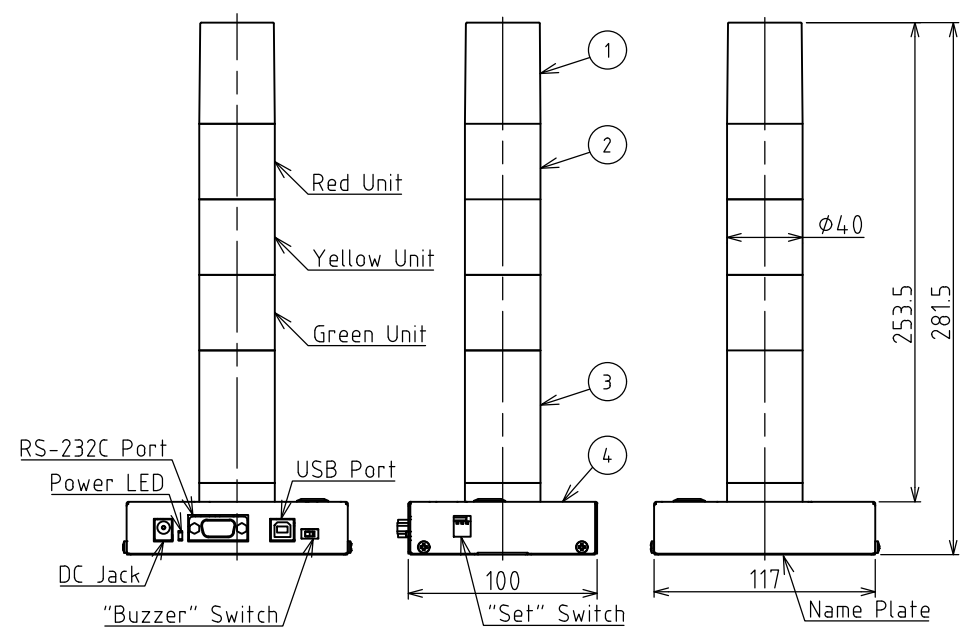
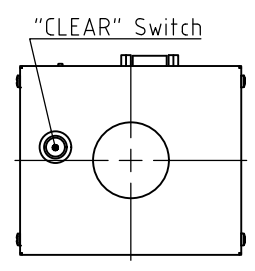
4.2. Main Unit Status Acquisition Function

Status acquisition	Signal Tower Status, Buzzer Status
Body Unit Information acquisition	Firmware Version, Identification number, Switch Status

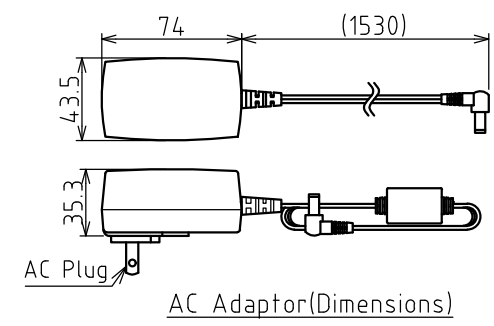
4.3. Main Unit Setting Function

Operation Mode Setting	Normal Operation Mode, PHU Compatible Mode, Firmware Update Mode
Normal Operation	It is a mode that operates with the PHE command.
PHU Compatible	It is a mode that operates with the PHU command.
Firmware Update	This mode is used to update main unit firmware.
Identification Number Setting	Identification number for identifying the main body can be set
Buzzer Setting	Buzzer ON and Buzzer OFF can be selected using "Buzzer" Switch
	Buzzer volume can be selected using DIP Switch in Buzzer Unit.

1	2		3		4	
A 指定公差 General tolerance	角度公差 Angular tolerance ±[°]		寸法公差 Dimensional tolerance ±[mm]			図番 Drawing No.
	短辺長 Length of short side					PHE-3FB3-W18
	ページ Page					5 / 5
	精 f		精 f 0.05 0.1 0.2 0.4 0.6			改訂 Rev.
中 m		中 m 0.1 0.3 0.5 0.7 1			年月日 Date	
粗 v		粗 c 0.3 0.5 1 1.2 2			改訂履歴 Revisions	
						△ E



No.	Names	Material	Color
1	Buzzer Unit	PC	Off-white
2	LED Unit	PC	Clear
3	Tower Body	PC	Off-white
4	Main Body	SECC	Off-white/Medium Gray



番号 No.	部品名 Part Name	数量 Qty.	記事 Remarks		
機種 Model	PHE-3FB3	特注No. S.P.No.	-	図名 Name	Outer Dimensions Drawing
品目コード Part No.	尺度 Scale		三角法 3rd Angle P.	単位 Unit mm	株式会社 パトライト PATLITE Corporation