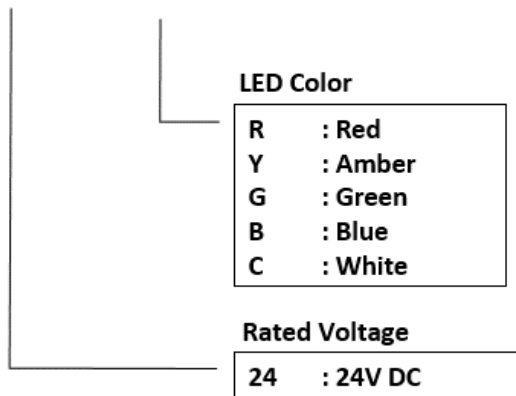


<h1>SPECIFICATIONS</h1>

[General Specifications]

Product Name		Signal Light
Model		NE-24A-□
Rated Voltage		24V DC
Operating Voltage Range		Rated Voltage ±10%
Rated Current Consumption	Typ.	22mA
	Max.	26mA
Rated Power Consumption	Typ.	0.6W
	Max.	0.7W
Operating Ambient Temperature		-30°C to +50°C
Operating Ambient Humidity		Less than 90% (No condensation)
Storage Ambient Temperature		-40°C to +75°C
Storage Ambient Humidity		Less than 90% (No condensation)
Mounting Location		Indoor
Mounting Direction		All Directions
Protection Rating		IP65, NEMA TYPE 4X, 13
Environmental Condition		All Directions
Insulation Resistance		More than 5MΩ at 500VDC between live part and non-current carrying metallic part
Withstand Voltage		500VAC applied for 1min between live part and non-current carrying metallic part without breaking insulation
Mass (Tolerance ±10%)		0.06kg
Outer Dimensions		Refer to the Outer Dimension Drawing
Conformity Standards		EMC Directive (EN 61000-6-4, EN 61000-6-2)
		RoHS Directive (EN IEC 63000)
		UL 508, CSA-C22.2 No. 14
Remarks		Due to the characteristics of the LED elements, a variation in difference of the color tone and brightness of every product may occur.
Model Number Configuration		

NE- 24 A - R



指定 公差 General Tolerance	角度公差 ±[°]			寸法公差 ±[mm]					図番 Drawing No. NE-24A-W18	改訂 Rev. 年月日 Date 改訂履歴 Revisions	ページ Page 2 / 2			
	短辺 長さ Length of short side	~	~100	6	30	120	300	1000						
	精 f	1	0.5	0.3	0.1	中 m	0.1	0.3				0.5	0.7	1
	粗 v	3	1.5	1	0.5	粗 c	0.3	0.5				1	1.2	2

改訂 Rev.	年月日 Date	改訂履歴 Revisions
------------	-------------	-------------------

ページ Page 2 / 2

A

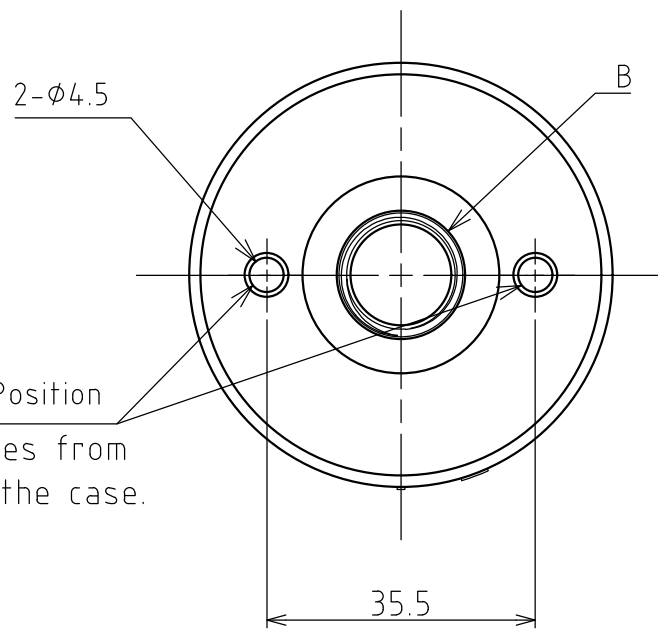
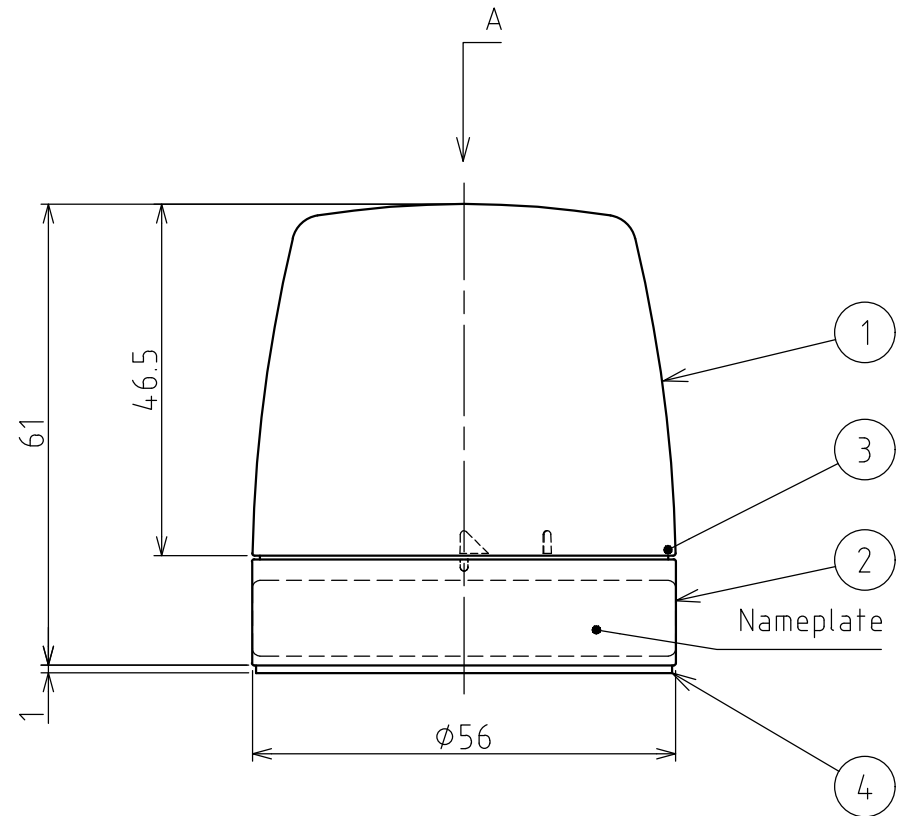
B

C

D

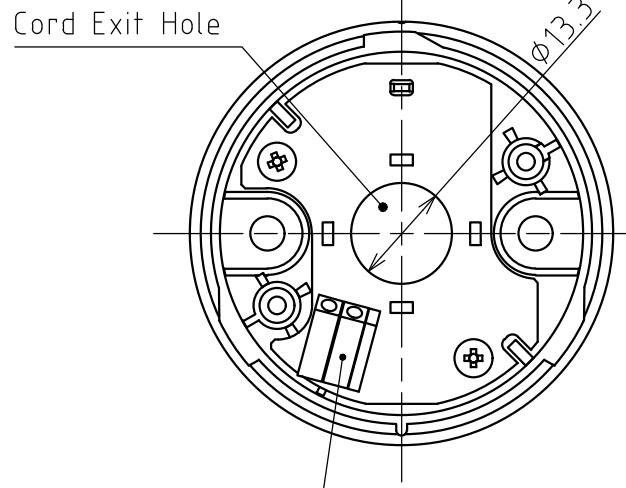
E

F



Mounting Hole Position
 ※ Drill the holes from the top on the case.

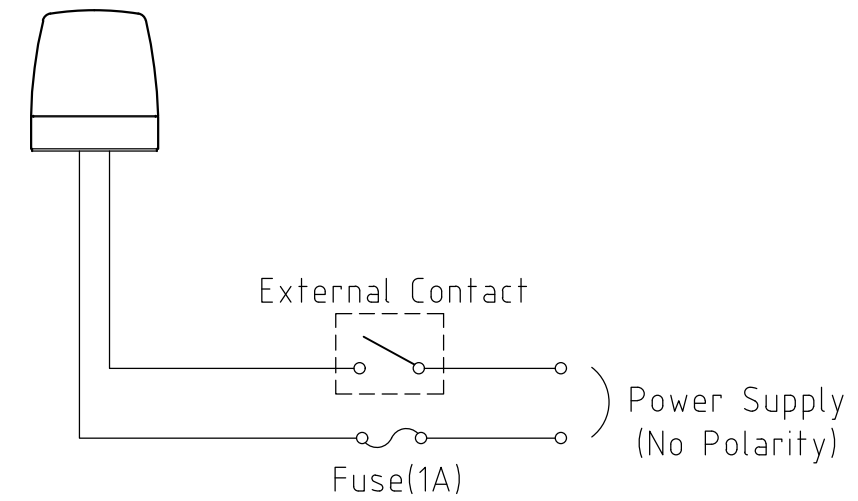
- [Note]
 1. Cable gland of M16(P=1.5) can be attached to part B.
 2. This product has no power cord, Use the Screwless terminal block on mounting plate to connect the power supply.



Screwless terminal block
 Applicable Wire
 Solid Wire: 0.2mm²~1.5mm²
 Stranded Wire: AWG 24~16

View A(Without Globe)

Writing Example



4	Waterproof sheet	1	Silicone rubber, Black
3	O-ring	1	Silicone rubber, Black
2	Case	1	PC, Off-dark Gray
1	Globe	1	PC, (Red・Amber・Green・Blue・White)
番号 No.	部品名 Part Name	数量 Qty.	記事 Remarks
機種 Model	NE-24A	特注No. S.P.No.	-
品目コード Part No.	-	図名 Name	Outer Dimension Drawing
	尺度 Scale	三角法 3rd Angle P.	単位 Unit mm
		株式会社 パトライト PATLITE Corporation	