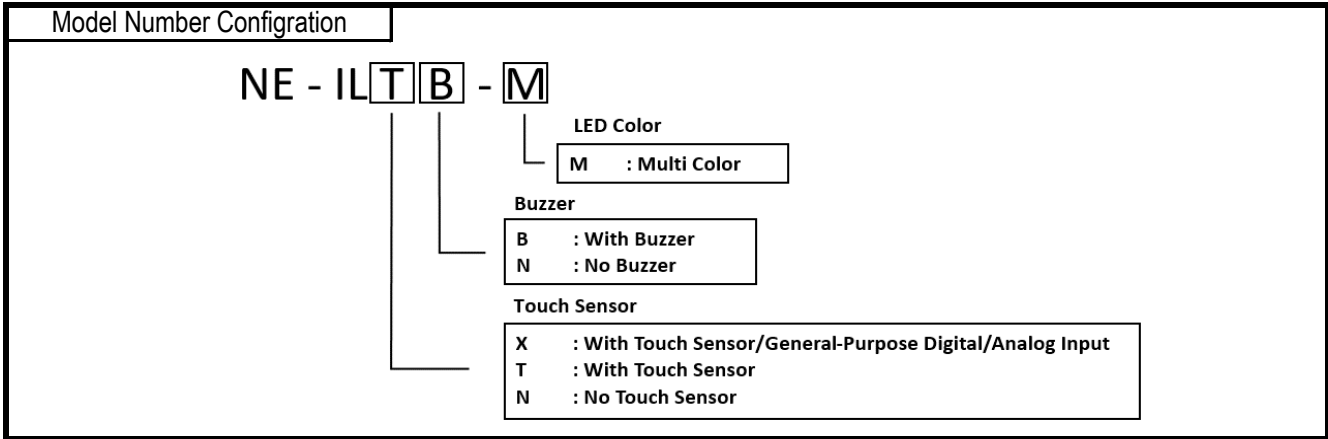


SPECIFICATIONS

[General Specifications]

Product Name	IO-Link Signal Light				
Model	NE-ILNN-M	NE-ILTN-M	NE-ILNB-M	NE-ILTB-M	NE-ILXB-M
Rated Voltage	24V DC				
Operating Voltage Range	18 - 30V DC				
Rated Current	Typ.	40mA		80mA	
	Consumption	Max.	50mA		100mA
Rated Power	Typ.	1.0W		2.0W	
	Consumption	Max.	1.2W		2.4W
Inrush Current	Less than 10A / 0.2msec				
Operating Ambient Temperature	-25°C to +60 °C				
Operating Ambient Humidity	Less than 90% (No condensation)				
Storage Ambient Temperature	-40 °C to + 75°C				
Storage Ambient Humidity	Less than 90% (No condensation)				
Mounting Location	Indoor				
Mounting Direction	Upright				
Protection Rating	IP65、NEMA TYPE 4X, 13				
Environmental Condition	Upright				
Insulation Resistance	More than 5MΩ at 500VDC between live part and non-current carrying metallic part				
Withstand Voltage	500VAC applied for 1min between live part and non-current carrying metallic part without breaking insulation				
Sound Pressure Level	-		Typ. 88dB		
Environmental Condition	Front direction from the center/at 1m Buzzer Sound 「Continuous tone」				
Buzzer Sound (NE-IL□B-M)	1	Continuous tone	5	Continuous tone 500ms ON / 500ms OFF	
	2	Intermittent tone	6	Intermittent tone 500ms ON / 500ms OFF	
	3	High-low tone	7	High-low tone 500ms ON / 500ms OFF	
	4	Sweep sound	8	Sweep sound 500ms ON / 500ms OFF	
Luminous Color	Red / Green / Blue / Amber / Cyan / Purple / White				
Touch Sensor input method	-	Electrostatic Capacitance	-	Electrostatic Capacitance	
Analog Input Range	-			4mA ~ 20mA	
Digital Input	-			Voltage Contact (NPN/PNP Transistor)	
Mass (Tolerance ±10%)	0.09kg		0.10kg		
Outer Dimensions	Refer to the Outer Dimension Drawing				
Conformity Standards	EMC Directive (EN 61000-6-4, EN 61000-6-2)				
	RoHS Directive (EN IEC 63000)				
	UL 508, CSA-C22.2 No. 14				
	FCC Part 15 SubpartB Class A				
	ICES-003				
	KC (KN 61000-6-4, KN 61000-6-2)				
Remarks	Due to the characteristics of the LED elements, a variation in difference of the color tone and brightness of every product may occur.				



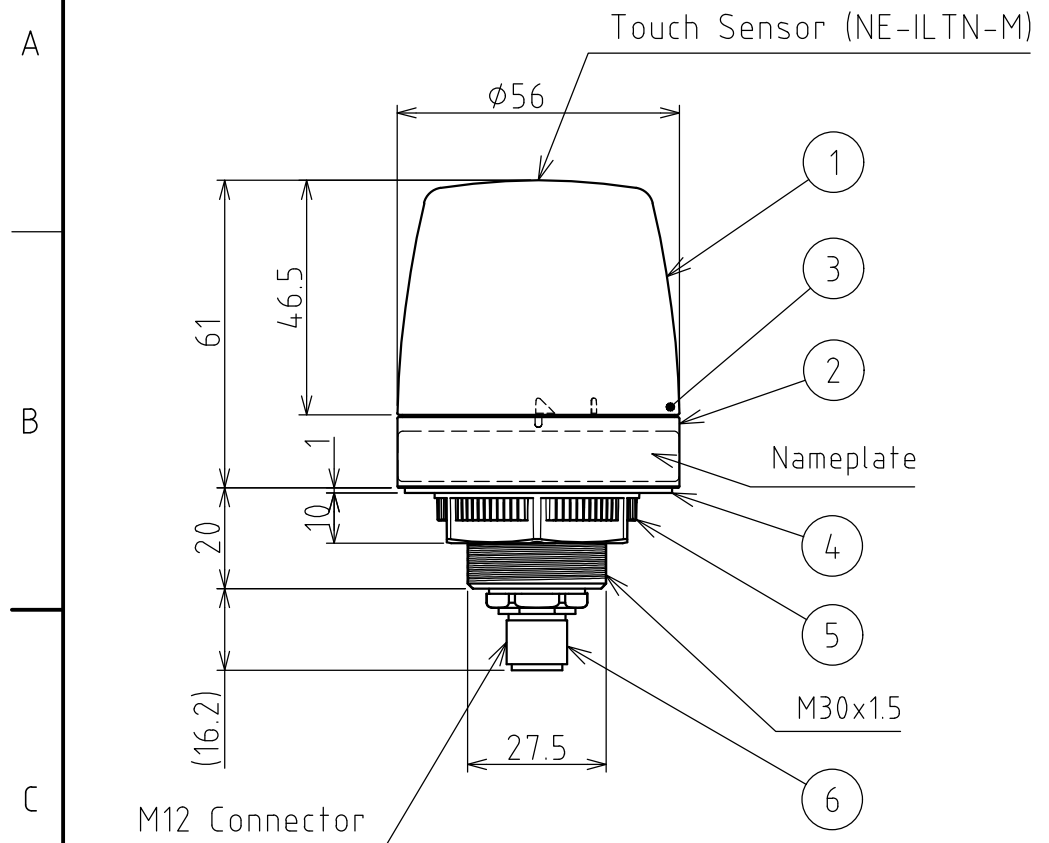
[IO-Link Specifications]

Function		LED control, Buzzer control (NE-IL□B-M) LED Color setting, Brightness setting, Buzzer tone setting (NE-IL□B-M)
Communication specification	IO-Link revision	Version 1.1
	Transmission rate	COM2 (38.4 kbps)
	Minimum cycle time	8 ms
	Process data length	2 byte / 2 byte (input from master / output to master)
Vendor ID		763
Device ID		60001

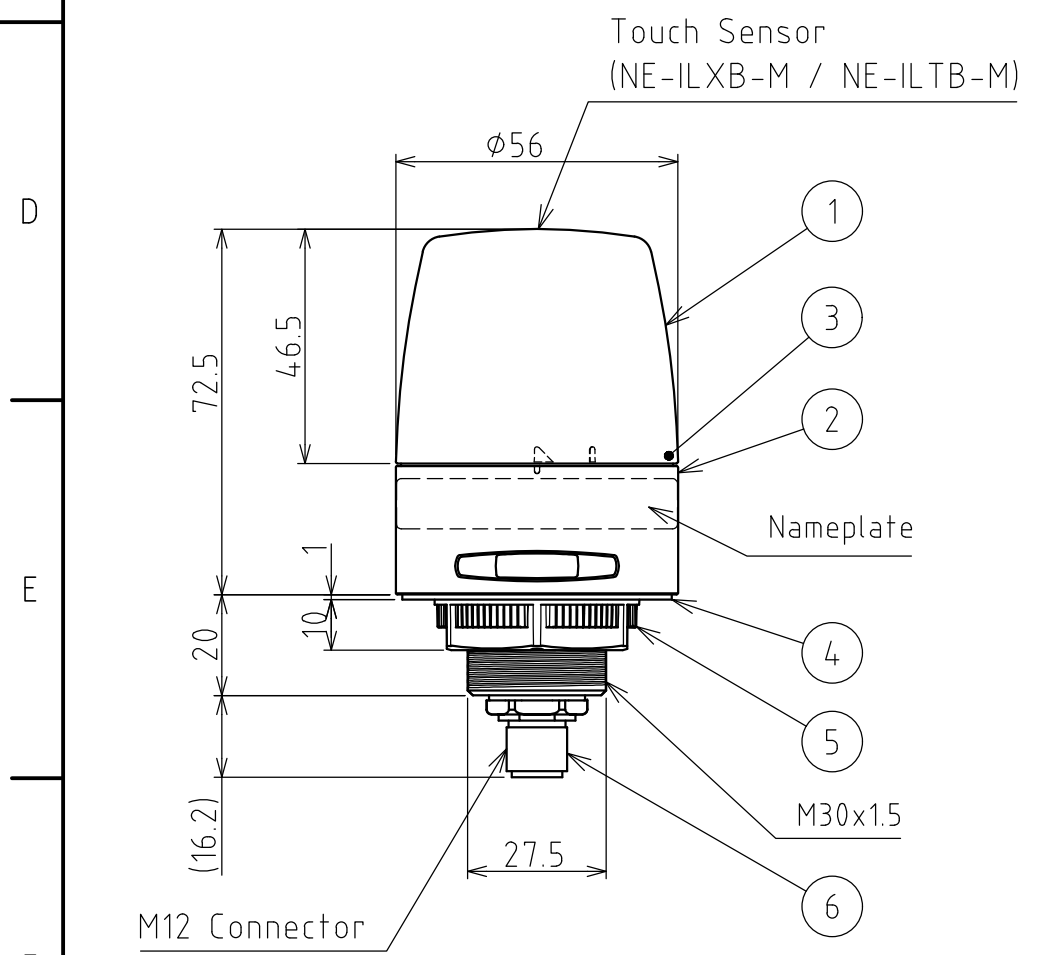
指定 公差 General Tolerance	角度公差 ±[°]		寸法公差 ±[mm]					図番 Drawing No.		ページ Page	
	短辺 長さ Length of short side	~ ~ 100	6	30	120	300	1000	改訂 Rev.	年月日 Date	改訂履歴 Revisions	
	精 f	1 0.5 0.3 0.1	中 m	0.1 0.3 0.5 0.7 1							
	粗 v	3 1.5 1 0.5	粗 c	0.3 0.5 1 1.2 2							

NE-ILNB-W18

3 / 3



NE-ILNN-M / NE-ILTN-M



NE-ILNB-M / NE-ILTB-M / NE-ILXB-M

	M12 Connector Pin Configuration	Writing Example
NE-ILNN-M / NE-ILNB-M NE-ILTN-M / NE-ILTB-M		
NE-ILXB-M		

[Note]

- A cable with a M12 connector is not supplied with the product.
- Luminous Color differs depending on the IO-Link process data and parameter settings.

6	M12 Connector	1	5pin or 8pin, MBNi
5	M30 Nut	1	PC, Off-dark Gray
4	Waterproof sheet	1	Silicone rubber, Black
3	O-ring	1	Silicone rubber, Black
2	Case / Buzzer Case	1	PC, Off-dark Gray
1	Globe	1	PC, Milky white
番号 No.	部品名 Part Name	数量 Qty.	記事 Remarks

機種 Model	NE-ILNB	特注No. S.P.No.	-	図名 Name	Outer Dimension Drawing
品目コード Part No.	-	尺度 Scale	-	三角法 3rd Angle P.	単位 Unit mm

株式会社 パトライト
PATLITE Corporation