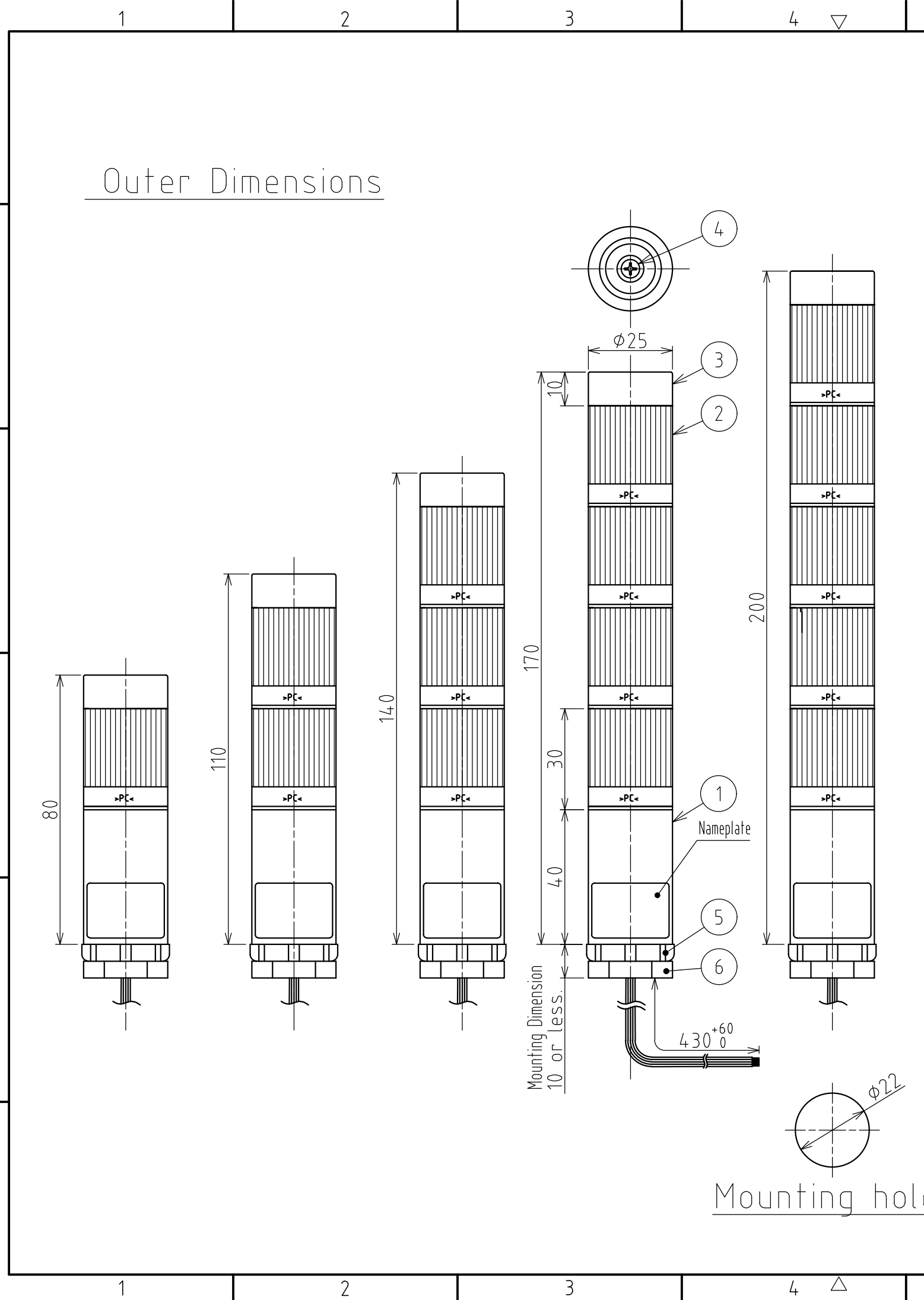


SPECIFICATIONS

[General Specifications]

Model	5 tiers	MES-502A						
	4 tiers	MES-402A						
	3 tiers	MES-302A						
	2 tiers	MES-202A						
	1 tier	MES-102A						
UL Registered Model		MES_02A						
Rated Voltage		24 V DC						
Operating Voltage Range		Rated Voltage $\pm 10\%$						
Signal Wire Current (Rated Current Consumption)		Per LED Unit						
		Red	Amber	Green	Blue	White		
		Typ.	25.2mA	25.2mA	13.3mA			
		Max.	30.2mA	29.2mA	17.0mA			
Operating Ambient Temperature		-10 °C to +55°C						
Operating Ambient Humidity		Less than 90 % (No condensation)						
Mounting Location		Indoors						
Mounting Direction		Upright						
Protection Rating		IP 42						
Environmental Condition		Mounted in the upright position						
Vibration Resistance		19.6m/s ² (at 30Hz)						
Insulation Resistance		More than 1MΩ at 500VDC between the terminals and the chassis						
Withstand Voltage		500VAC applied for 1min between terminals and chassis without breaking insulation						
Luminous Intensity		Red	Amber	Green	Blue	White		
		more than 1300mcd	more than 800mcd	more than 1100mcd	more than 500mcd	more than 800mcd		
Mass (Tolerance $\pm 10\%$)		1 tier	2 tiers	3 tiers	4 tiers	5 tiers		
		0.12kg	0.13kg	0.14kg	0.15kg	0.16kg		
Outer Dimensions		Refer to the Outer Dimension Drawing						
Conformity Standards		<ul style="list-style-type: none"> EMC Directive (EN 61000-6-4, EN 61000-6-2) RoHs Directive (EN IEC 63000) UL 508, CSA-C22.2 No.14 						
Remarks		<ul style="list-style-type: none"> UL Recognized Component (File No.E215660) Model Number Configuration ME I - II III A - IV 						
		<table border="1"> <tr> <td>I Body Type</td> <td>II Tier</td> <td>III Rated Voltage</td> <td>IV Luminous Color</td> </tr> <tr> <td>Blank : 200mm Body S : 40mm Body L : 500mm Body</td> <td>1 : 1Tier 2 : 2Tiers 3 : 3Tires 4 : 4Tires 5 : 5Tires</td> <td>02 : 24V DC</td> <td>R : Red / Y : Amber / G : Green / B : Blue / C : White ※ LED Colors are from top to bottom</td> </tr> </table>	I Body Type	II Tier	III Rated Voltage	IV Luminous Color	Blank : 200mm Body S : 40mm Body L : 500mm Body	1 : 1Tier 2 : 2Tiers 3 : 3Tires 4 : 4Tires 5 : 5Tires
I Body Type	II Tier	III Rated Voltage	IV Luminous Color					
Blank : 200mm Body S : 40mm Body L : 500mm Body	1 : 1Tier 2 : 2Tiers 3 : 3Tires 4 : 4Tires 5 : 5Tires	02 : 24V DC	R : Red / Y : Amber / G : Green / B : Blue / C : White ※ LED Colors are from top to bottom					



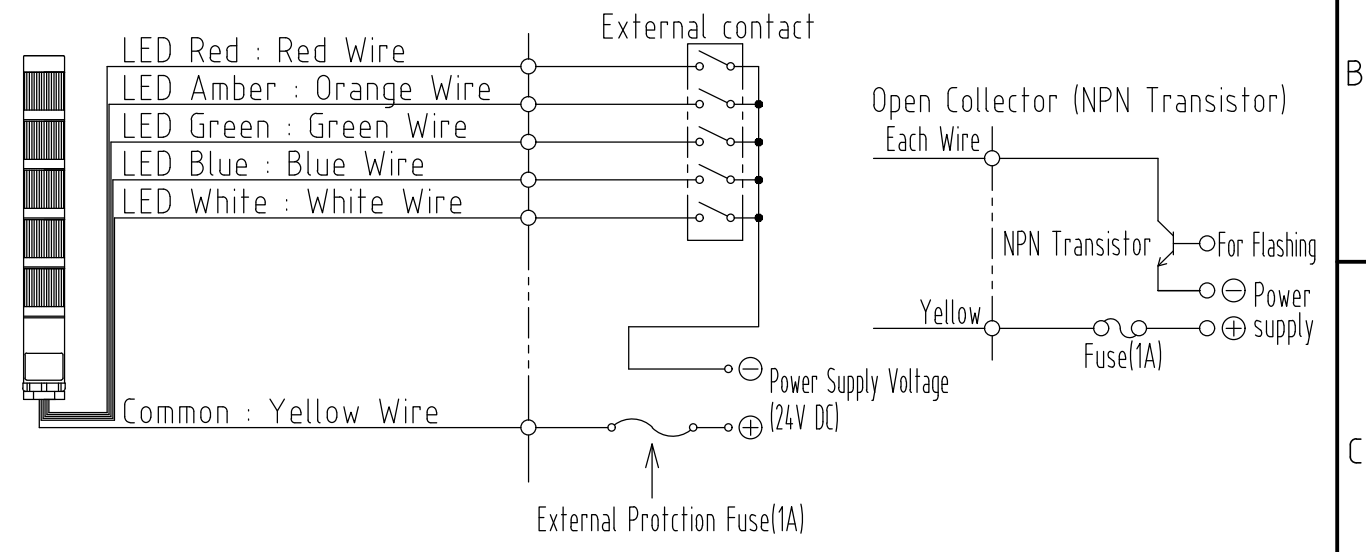
指定公差 General tolerance	角度公差 ±[°] Angular tolerance ±[°]			寸法公差 ±[mm] Dimensional tolerance ±[mm]							
	短辺長 Length of short side	~	~	6	30	120	300	1000			
	精 f	1	0.5	0.3	0.1	中 m	0.1	0.3	0.5	0.7	1
	粗 v	3	1.5	1	0.5	粗 c	0.3	0.5	1	1.2	2

図番 Drawing No.	MES-502A-W18	
改訂 Rev.	年月日 Date	改訂履歴 Revisions

ページ Page	2 / 2
----------	-------

Wiring Example

Wire Type : UL1007/AWG22



- [Note]
1. Insulate all unused wires with insulation tape, heat-shrink tubing, etc.
 2. Use a "Class 2" power supply.

6	Gland	1	PF1/2, MFNi
5	Lock Nut	1	PF1/2, MFZn
4	Screw	1	M3, MFZn
3	Head Cover	1	PC, Coating(Silver)
2	LED Unit		LED Color : Red, Amber, Green, Blue, White Lens : PC / Reflector : ABS
1	Body	1	Al
番号 No.	部品名 Part Name	数量 Qty.	記事 Remarks

機種 Model	MES-□02A	特注 No. S.P.No.	-	図名 Name	Outer Dimensions Drawing
品目コード Part No.	-	尺度 Scale	-	三角法 3rd Angle P.	単位 Unit mm

株式会社 パトライト
PATLITE Corporation