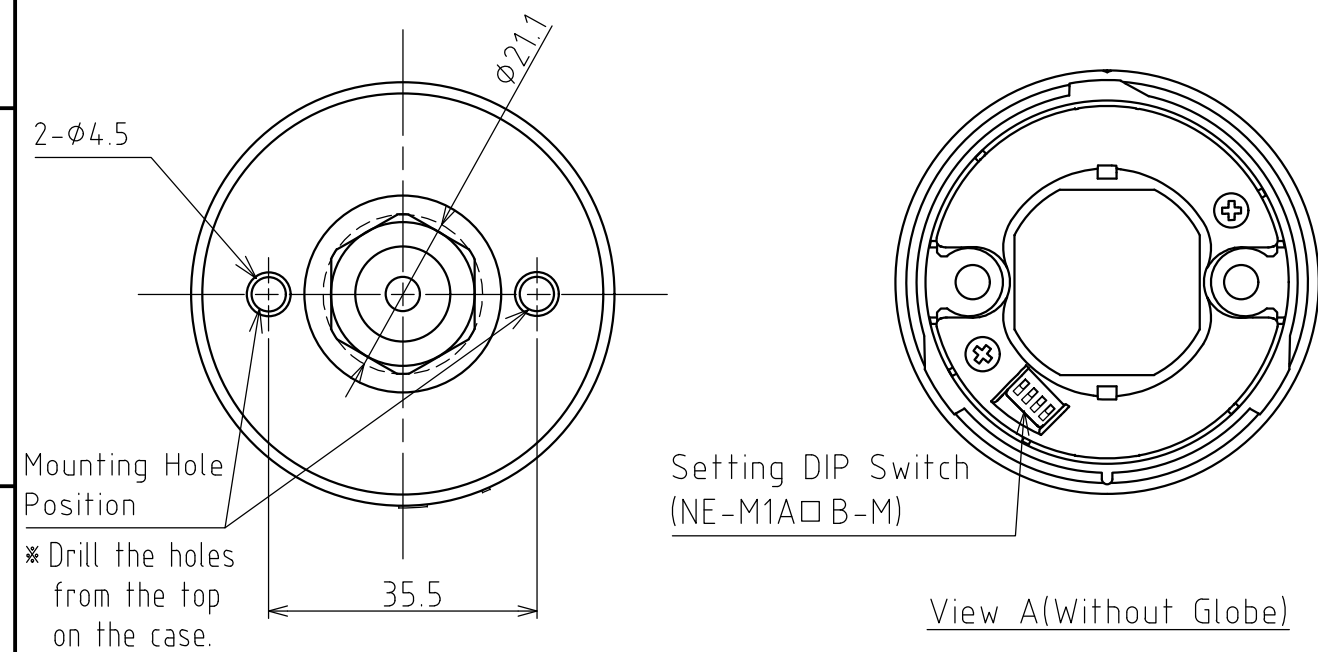
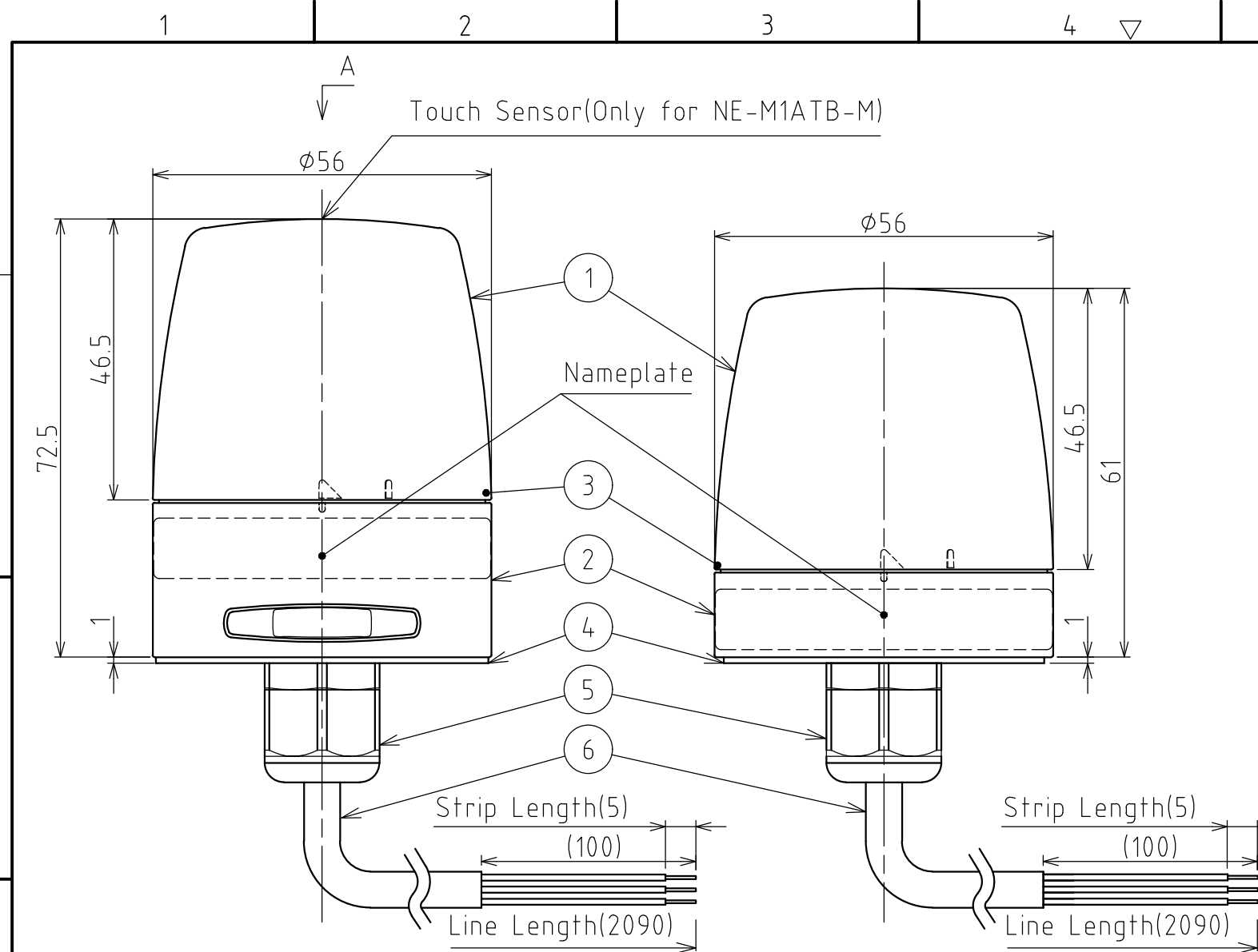


SPECIFICATIONS

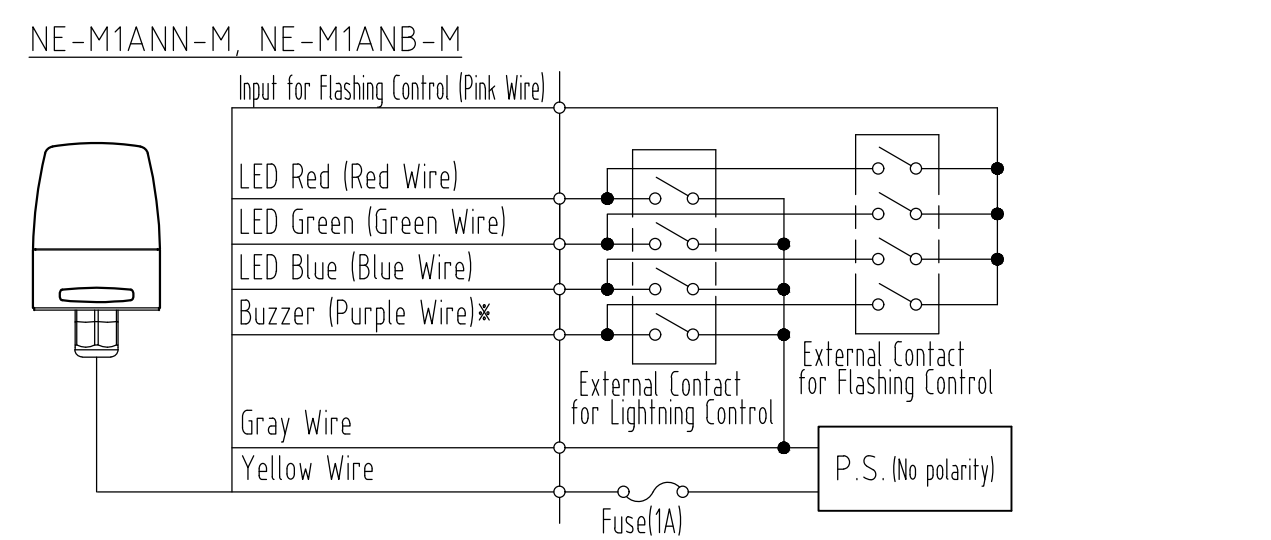
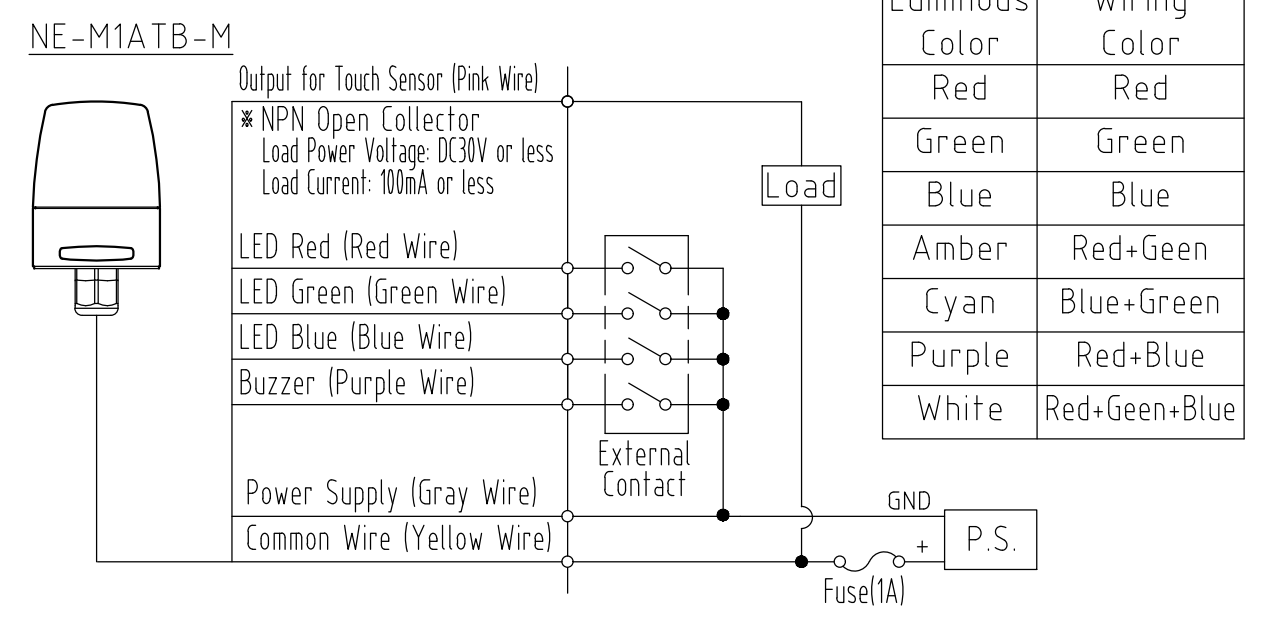
[General Specifications]

Product Name		Signal Light									
Model		NE-M1ANN-M	NE-M1ANB-M	NE-M1ATB-M	NE-M1ACNB-M						
Rated Voltage		12V DC - 24V DC									
Operating Voltage Range		10V DC - 30V DC									
Rated Current Consumption	Typ.	12V DC	55mA	80mA							
		24V DC	45mA	65mA							
	Max.	12V DC	65mA	95mA							
		24V DC	50mA	75mA							
Rated Power Consumption	Typ.	12V DC	0.7W	1.0W							
		24V DC	1.1W	1.6W							
	Max.	12V DC	0.8W	1.2W							
		24V DC	1.2W	1.8W							
Standby Current		Less than 20mA									
Inrush Current		Less than 0.4A / 2msec									
Operating Ambient Temperature		-25°C to +60 °C									
Operating Ambient Humidity		Less than 90% (No condensation)									
Storage Ambient Temperature		-40°C to +75°C									
Storage Ambient Humidity		Less than 90% (No condensation)									
Mounting Location		Indoor									
Mounting Direction		All Directions									
Protection Rating		IP67 NEMA TYPE 4X, 13	IP65 NEMA TYPE 4X, 13								
Environmental Condition		Upright									
Insulation Resistance		More than 5MΩ at 500VDC between live part and non-current carrying metallic part									
Withstand Voltage		500VAC applied for 1min between live part and non-current carrying metallic part without breaking insulation									
Sound Pressure Level		-	Typ. 88dB								
Environmental Condition		Front direction from the center/at 1m Buzzer Sound 「Continuous tone」									
Buzzer Sound		Setting DIP Switch									
		OFF	Intermittent tone	ON	Continuous tone						
Luminous Color		Red / Green / Blue / Amber / Cyan / Purple / White									
Touch Sensor input method		-	Electrostatic Capacitance		-						
Mass (Tolerance ±10%)		0.15kg	0.17kg		0.1kg						
Outer Dimensions		Refer to the Outer Dimension Drawing									
Conformity Standards	UL, cUL	UL 508, CSA-C22.2 No. 14									
	FCC	FCC Part 15 SubpartB Class A									
	IC	ICES-003 Class A									
	CE Marking UKCA Marking	EN 61000-6-4, EN 61000-6-2, EN IEC 63000									
	KC	KS C 9610-6-4, KS C 9610-6-2									
Remarks		Due to the characteristics of the LED elements, a variation in difference of the color tone and brightness of every product may occur. UL Recognized Component (File No.E215660)									
Model Number Configuration		<p style="text-align: center;">NE - M1 A C N B - M</p> <table style="width: 100%; border: none;"> <tr> <td style="width: 33%;"> <p>Rated Voltage</p> <p>M1 : 12 - 24V DC</p> </td> <td style="width: 33%; text-align: center;"> <p>Touch Sensor</p> <p>T : With Touch Sensor</p> <p>N : No Touch Sensor</p> </td> <td style="width: 33%;"> <p>LED Color</p> <p>M : Multi Color</p> </td> </tr> <tr> <td> <p>Wiring</p> <p>None : Cable</p> <p>C : M12 Connector</p> </td> <td></td> <td> <p>Buzzer</p> <p>B : With Buzzer</p> <p>N : No Buzzer</p> </td> </tr> </table>				<p>Rated Voltage</p> <p>M1 : 12 - 24V DC</p>	<p>Touch Sensor</p> <p>T : With Touch Sensor</p> <p>N : No Touch Sensor</p>	<p>LED Color</p> <p>M : Multi Color</p>	<p>Wiring</p> <p>None : Cable</p> <p>C : M12 Connector</p>		<p>Buzzer</p> <p>B : With Buzzer</p> <p>N : No Buzzer</p>
<p>Rated Voltage</p> <p>M1 : 12 - 24V DC</p>	<p>Touch Sensor</p> <p>T : With Touch Sensor</p> <p>N : No Touch Sensor</p>	<p>LED Color</p> <p>M : Multi Color</p>									
<p>Wiring</p> <p>None : Cable</p> <p>C : M12 Connector</p>		<p>Buzzer</p> <p>B : With Buzzer</p> <p>N : No Buzzer</p>									



指定公差 General Tolerance		角度公差 Angular tolerance ±[°]		寸法公差 Dimensional tolerance ±[mm]					図番 Drawing No.		ページ Page	
短辺長さ Length of short side	10	50	100	6	30	120	300	1000	NE-M1ANN-W18		2 / 3	
精 f	1	0.5	0.3	0.1	中 m	0.1	0.3	0.5	0.7	改訂 Rev.	年月日 Date	改訂履歴 Revisions
粗 v	3	1.5	1	0.5	粗 c	0.3	0.5	1	1.2	△		

Writing Example



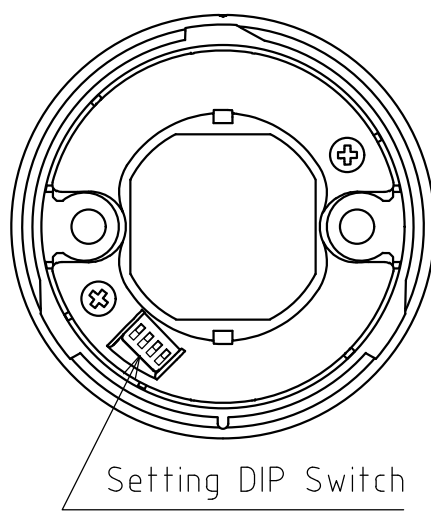
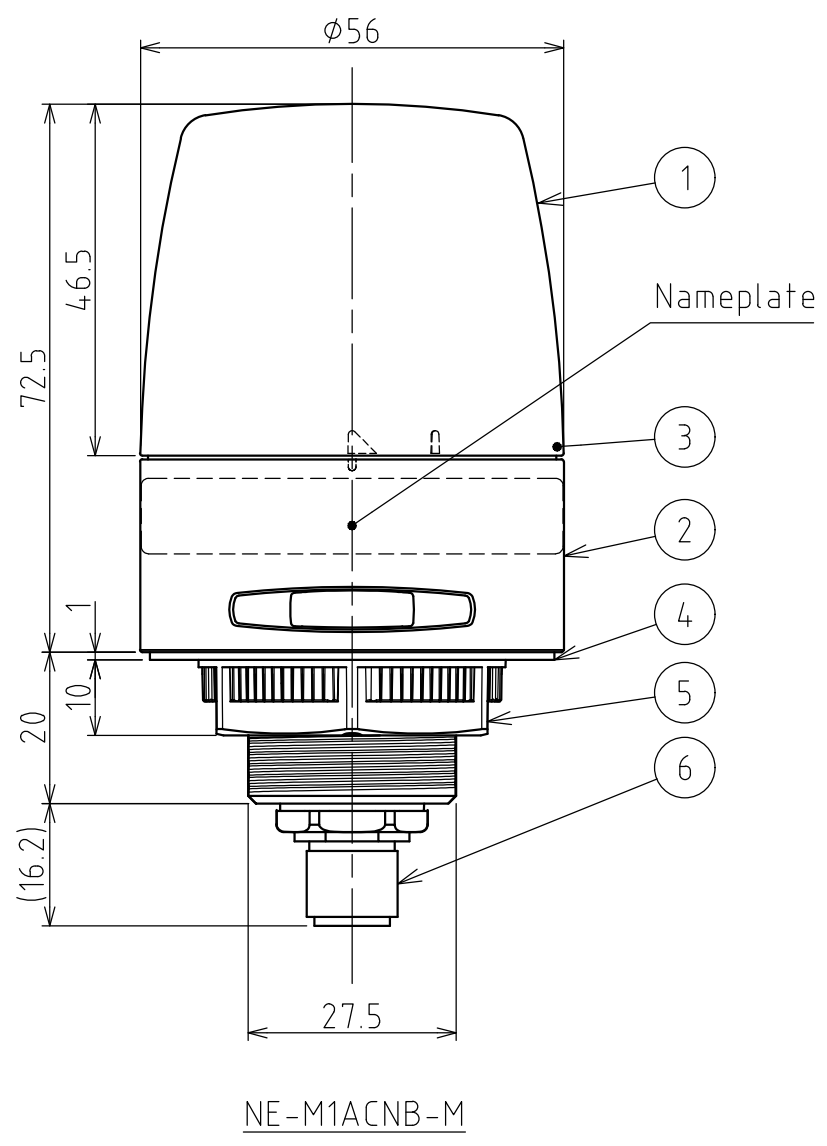
* Do not connect the buzzer (Purple wire) for the NE-M1ANN-M.

番号 No.	部品名 Part Name	数量 Qty.	記事 Remarks
6	Cabtyre Cable	1	φ6.5, UL2464, AWG 24
5	Cable gland	1	Polyamide 66 Resin
4	Waterproof sheet	1	Silicone rubber, Black
3	O-ring	1	Silicone rubber, Black
2	Buzzer Case / Case	1	PC, Off-dark Gray
1	Globe	1	PC, Milky white

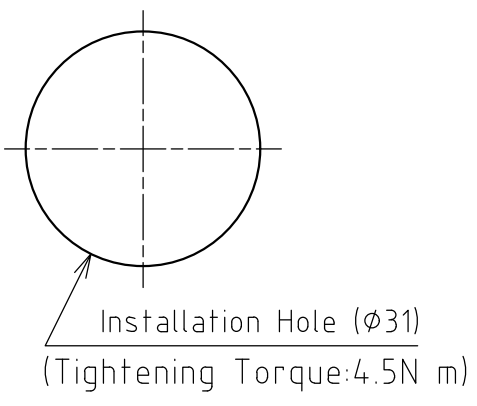
機種 Model	NE-M1ANN	特注No. S.P.No.	-	図名 Name	Outer Dimension Drawing		
品目コード Part No.	-	尺度 Scale	-	三角法 3rd Angle P.	単位 Unit	mm	株式会社 PATLITE Corporation

指定公差 General Tolerance	角度公差 ±[°]			寸法公差 ±[mm]							
	短辺長さ Length of short side	~	~100	6	30	120	300	1000			
	精 f	1	0.5	0.3	0.1	中 m	0.1	0.3	0.5	0.7	1
	粗 v	3	1.5	1	0.5	粗 c	0.3	0.5	1	1.2	2

図番 Drawing No.	年月日 Date	改訂履歴 Revisions
NE-M1ANN-W18		

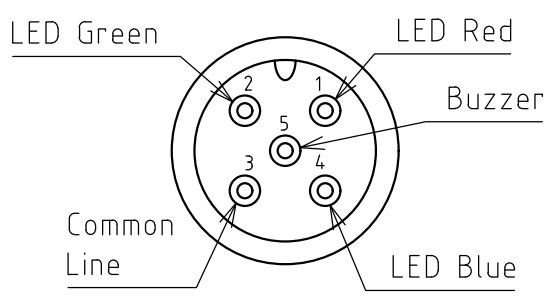


View A(Without Globe)



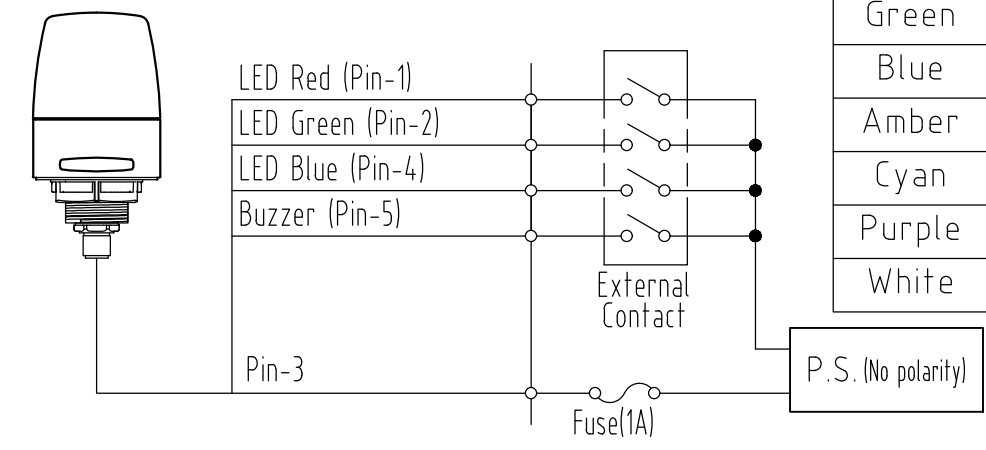
Installation Dimension Drawing

M12Connector Pinout



Writing Example

NE-M1ACNB-M



Luminous Color	M12 Connector Pin No.
Red	1
Green	2
Blue	4
Amber	1+2
Cyan	4+2
Purple	1+4
White	1+2+4

[Note]

1. A cable with a M12 connector is not supplied with the product.

番号 No.	部品名 Part Name	数量 Qty.	記事 Remarks
6	M12 Connector	1	5pin, MBNi
5	M30 Nut	1	PC, Off-dark Gray
4	Waterproof sheet	1	Silicone rubber, Black
3	O-ring	1	Silicone rubber, Black
2	Buzzer Case / Case	1	PC, Off-dark Gray
1	Globe	1	PC, Milky white

機種 Model	NE-M1ANN	特注No. S.P.No.	-	図名 Name	Outer Dimension Drawing
品目コード Part No.	-	尺度 Scale	-	三角法 3rd Angle P.	単位 Unit mm