

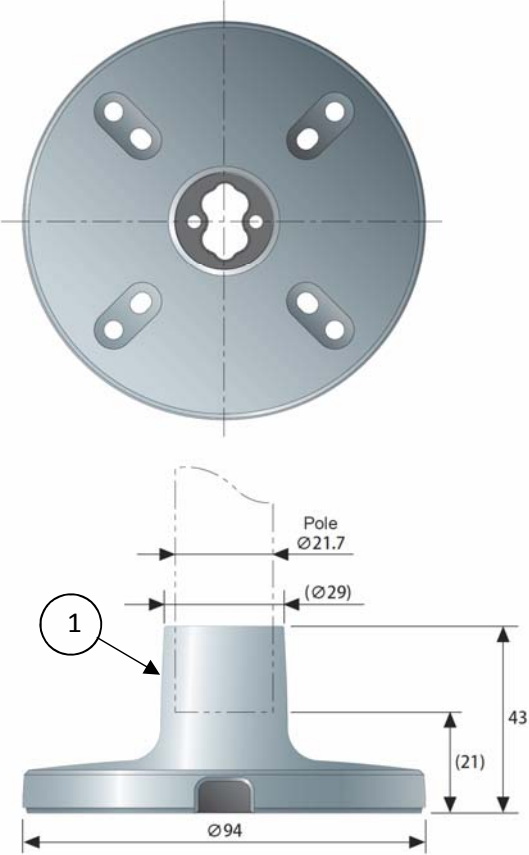
SPECIFICATIONS

1.General Specifications

Model	SZP-002U
Applicable Models	List in the website http://www.patlite.com/
Applicable Pole	
Mounting Location	Indoor Only
Protection Rating	IP20(Product Mounting)
Mass (Tolerance $\pm 10\%$)	0.11kg(Accessory Remove)
Outer Dimensions	Refer to the 2.Outer Dimensions
Remarks	There are no contents of controlled substances exceeding the threshold for the RoHS

2.Outer Dimensions

SZP-002U
(Unit:mm)



No.	Name	Material
1	Circular Bracket	ADC12

Accessory	
Pole Waterproof-ring 1pcs.	
Binding Head Tapping Screw(M3×12) 2pcs.	

Color : Silver

SZP-002-W18B-1_2

PATLITE Corporation

3.Mounting Dimensional Drawing

